

LIGHTING FIXTURE SCHEDULE

NOTE : FIXTURE NUMBER, LETTER PREFIX INDICATES TYPE OF MOUNTING AS FOLLOWS:
 CL-CEILING MOUNTED; S-STEM SUSPENDED; W-WALL MOUNTED; R-CEILING RECESSED;
 WR-WALL RECESSED; CV-CAVE MOUNTED; UC-UNDER CABINET; RP-ROOF MOUNTED; P-POST;
 GR-GROUND; CH-CHAIN SUSPENDED

SYMBOL UNLESS OTHERWISE NOTED	FIXTURE NUMBER	DESCRIPTION	MANUFACTURER (EQUALS)	CATALOG NUMBER	LAMPS	REMARKS
	S1	4" SUSPENDED LINEAR LED STRIP	LITHONIA (METALLUX/PHILIPS)	CLX-148-4000LM-SEF-FDL-MVOLT -GZ10-40K-80CRI-WH	28W LED 4000K	CHAIN MOUNT AT 8'-0" COORDINATE FINAL LOCATION WITH MECHANICAL EQUIPMENT

FEEDER SCHEDULE

DESIG.	C.B. OR FUSE SIZE	FEEDER SIZE
①	200 AMP	4-#3/0 & 1-#6 GRD IN 2" C.

WIRING LEGEND

4 - 350 & 350 - 3"

NO. OF CONDUCTORS — SIZE OF CONDUIT
 SIZE OF CONDUCTORS — SIZE OF GROUND CONDUCTOR

ELECTRICAL ABBREVIATIONS

AWG	AMERICAN WIRE GAUGE	GRD	GROUND
A	AMPERE	H.C.	MECHANICAL CONTRACTOR
AFF	ABOVE FINISHED FLOOR	LTG	LIGHTING
CLG	CEILING	MECH	MECHANICAL
C	CONDUIT	P.C.	PLUMBING CONTRACTOR
E.C.	ELECTRICAL CONTRACTOR	PNL	PANEL
E	EXISTING TO REMAIN	RECEPT	RECEPTACLE
FIX	FIXTURE	TYP	TYPICAL
G.C.	GENERAL CONTRACTOR	WP	WEATHERPROOF

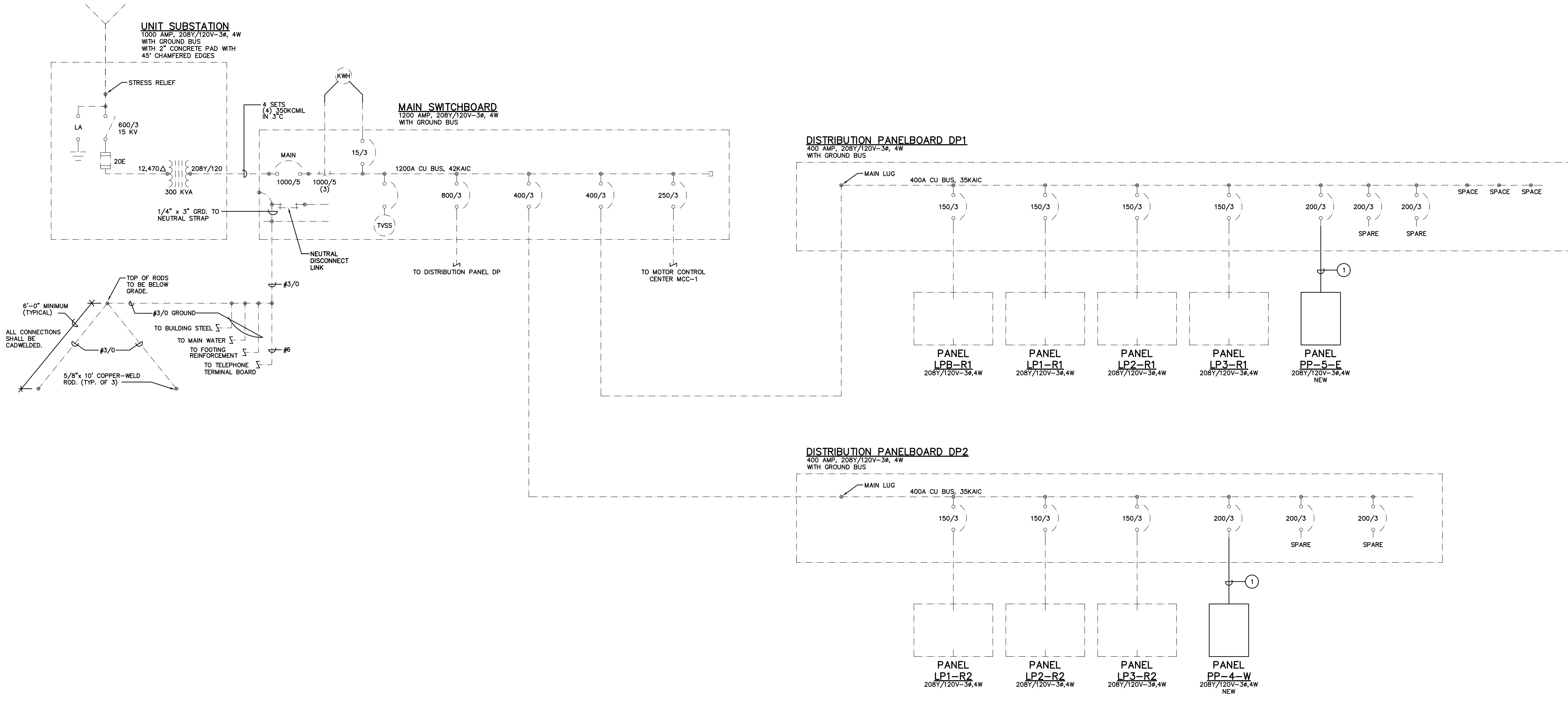
ELECTRICAL LEGEND

SYMBOL	DESCRIPTION	MOUNTING HGT. TO CENTER UNLESS OTHERWISE NOTED
	1X4 LIGHT FIXTURE	SEE DRAWINGS
	EMERGENCY EGRESS LIGHTING FIXTURE TO ILLUMINATE UPON LOSS OF NORMAL POWER	SEE DRAWINGS
	EXIT SIGN FIXTURE (WITH DIRECTIONAL ARROWS AS SHOWN) (TYPE AND MOUNTING AS NOTED)	94"
	SINGLE POLE SWITCH	42"
	DUPLEX RECEPTACLE; 3 WIRE GROUND TYPE	18"
	DUPLEX RECEPTACLE WEATHERPROOF	18"
	DUPLEX RECEPTACLE W/ GROUND FAULT INTERRUPTER	18"
	DOUBLE DUPLEX RECEPTACLE	18"
	JUNCTION BOX; WALL / CEILING MOUNTED; FLOOR MOUNTED	SEE DRAWINGS
	COMMUNICATIONS / DATA OUTLET	18"
	MOTOR - 1 PHASE	AS REQUIRED
	MOTOR - 3 PHASE	AS REQUIRED
	ELECTRICAL PANEL - SURFACE MOUNT, FLUSH MOUNT	6'-0" TO TOP
	SPECIAL CABINET AS NOTED ON THE PLANS	SEE DRAWINGS
	SAFETY DISCONNECT SWITCH	AS REQUIRED
	COMBINATION MOTOR STARTER/DISCONNECT SWITCH	AS REQUIRED
	MOTOR STARTER	AS REQUIRED
	HP RATED TOGGLE SWITCH	42"
	HP RATED MOTOR STARTING SWITCH W/ PILOT LIGHT	42"
	FIRE ALARM PULL STATION	42"
	FIRE ALARM SIGNAL - HORN/STROBE	80"
	SMOKE DETECTOR - CEILING MOUNTED	
	SMOKE DETECTOR - DUCT MOUNTED	SEE DRAWINGS
	REMOTE TEST SWITCH	AS REQUIRED
	FIRE ALARM ADDRESSABLE CONTROL MODULE	AS REQ'D

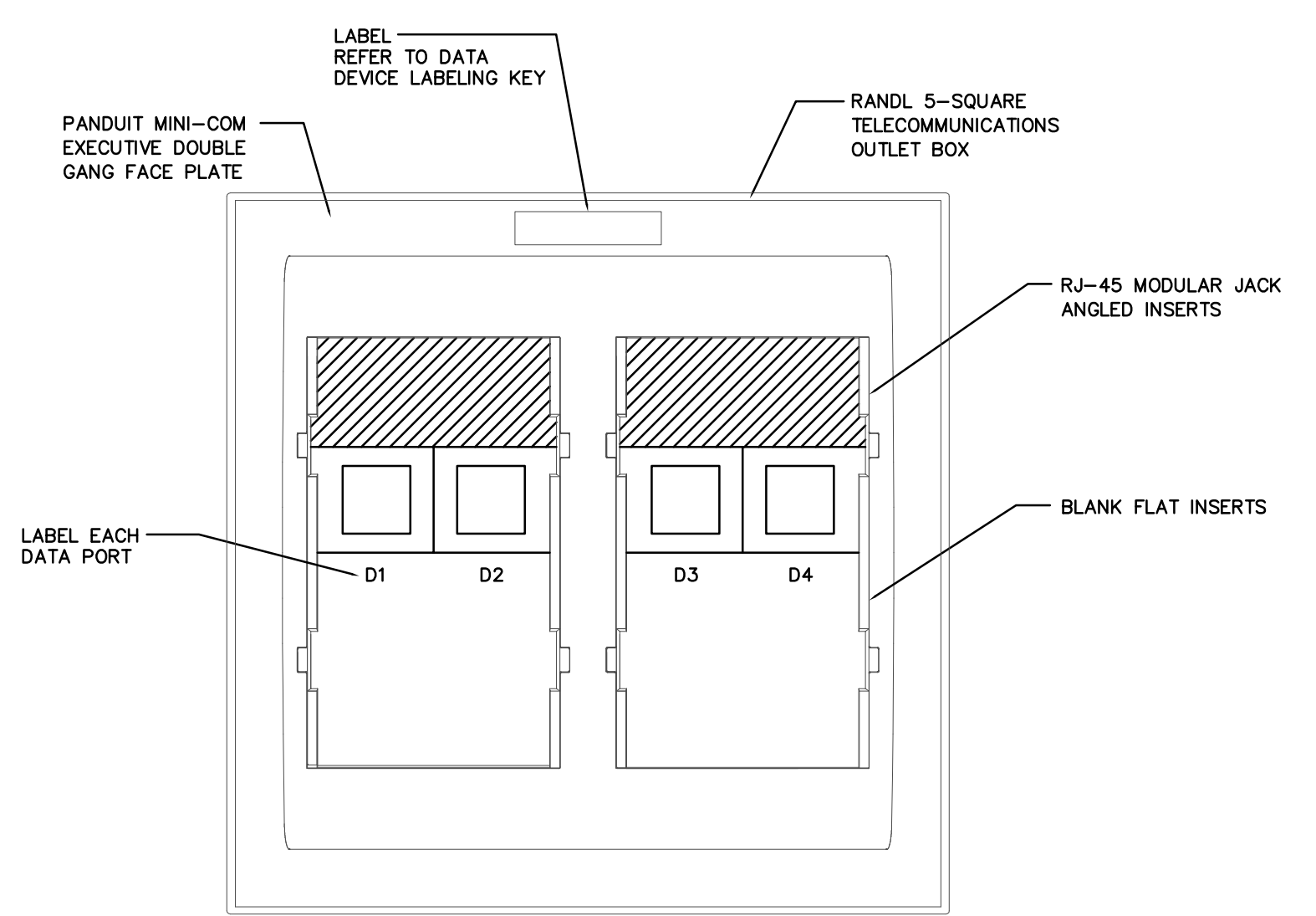
DATA DEVICE LABELING KEY

ROOM NUMBER — ROOM NUMBER
 BUILDING CODE — FACEPLATE NUMBER
 EMR### — MCR/TR NUMBER

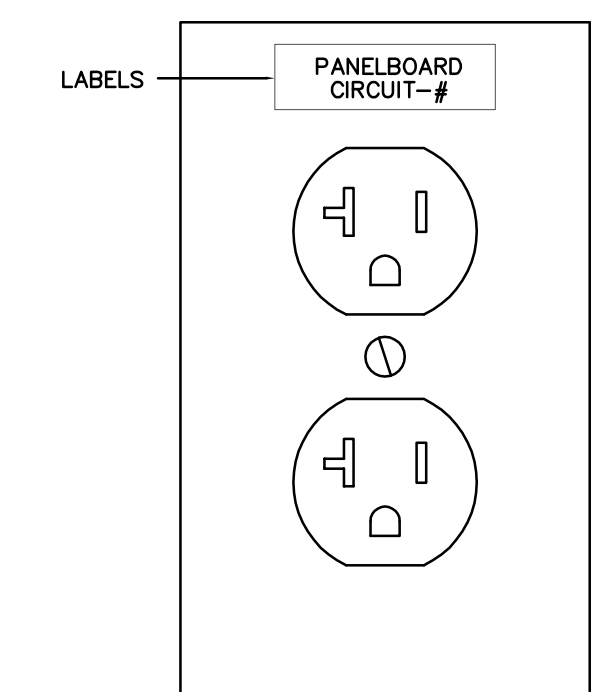
CONNECTION TYPES
 D=DATA; D-WALL= WALL PHONE; D-WAP= WIRELESS ACCESS POINT



ELECTRICAL ONE-LINE DIAGRAM
 SCALE: NONE
 UNLESS NOTED OTHERWISE, ALL EQUIPMENT AND FEEDERS ON THIS ONE-LINE ARE EXISTING TO REMAIN



DATA OUTLET DETAIL
 SCALE: NONE
 NOTE:
 - TYPICAL FOR ALL DATA OUTLETS



RECEPTACLE DETAIL
 SCALE: NONE
 NOTE:
 - PROVIDE LABEL FOR ALL RECEPTACLES IN PROJECT SCOPE OF WORK
 - INDICATE PANEL AND CIRCUIT IDENTIFICATION ON COVER PLATE

E-200-21379.DWG
 ASSOCIATE ENGINEER
PRATER Engineering Associates, Inc.
 6130 Wilcox Road
 Dublin, Ohio 43018 (614) 766 4886
 (614) 766 2354 FAX: (614) 766 2354

SEAL

3-24-22	▲	ADDENDUM 2			
3-4-22		ISSUED FOR BID AND PERMIT			
DATE		DESCRIPTION			
		MIAMI UNIVERSITY EMERSON HALL VENTILATION IMPROVEMENTS			
SEAL		PREPARED FOR MIAMI UNIVERSITY PHYSICAL FACILITIES DEPARTMENT OXFORD, OH			
		PREPARED BY PRATER ENGINEERING ASSOCIATES 6130 WILCOX ROAD; DUBLIN, OHIO 43016			
SHEET TITLE		ELECTRICAL ONE-LINE, DETAILS, AND LEGENDS	SHEET NO.		
SCALE		AS NOTED	DATE	03/04/2022	DESIGNED BY N. GUY
			CHECKED BY	DLP	E-200