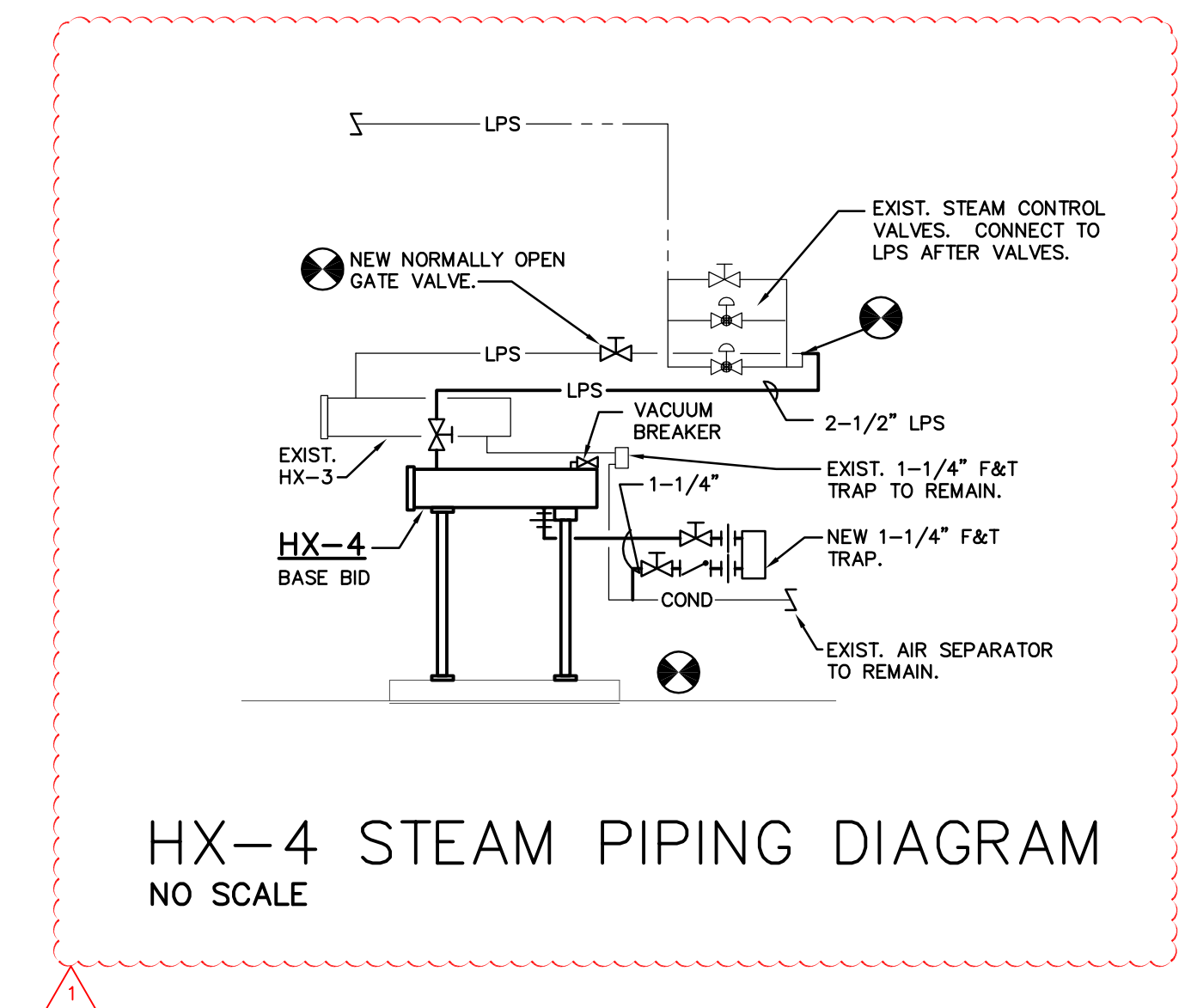


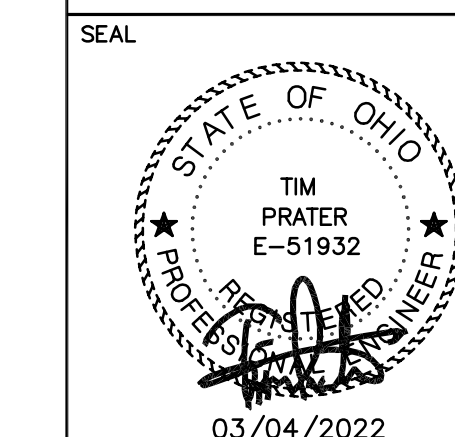
MECH. RM. 002 CHILLED AND HEATING WATER PIPING DIAGRAM
NO SCALE



HX-4 STEAM PIPING DIAGRAM
NO SCALE

DATE	DESCRIPTION
3-24-22	ADDENDUM 2
3-4-22	ISSUED FOR BID AND PERMIT

H-501-21379.DWG
ASSOCIATE ENGINEER
PRATER
Engineering Associates, Inc.
6130 Wilcox Road
Dublin, Ohio 43016 (614) 766 4886
FAX: (614) 766 2354



MIAMI UNIVERSITY
MORRIS HALL
VENTILATION IMPROVEMENTS

PREPARED FOR
MIAMI UNIVERSITY
PHYSICAL FACILITIES DEPARTMENT
OXFORD, OH

PREPARED BY
PRATER ENGINEERING ASSOCIATES
6130 WILCOX ROAD; DUBLIN, OHIO 43016

SCALE	DATE	DESIGNED BY	CHECKED BY	SHEET NO.
AS NOTED	3/4/2022	B. OGLE	T. PRATER	H-501